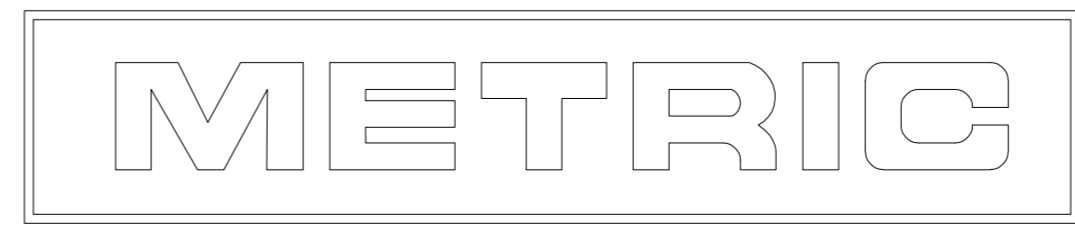
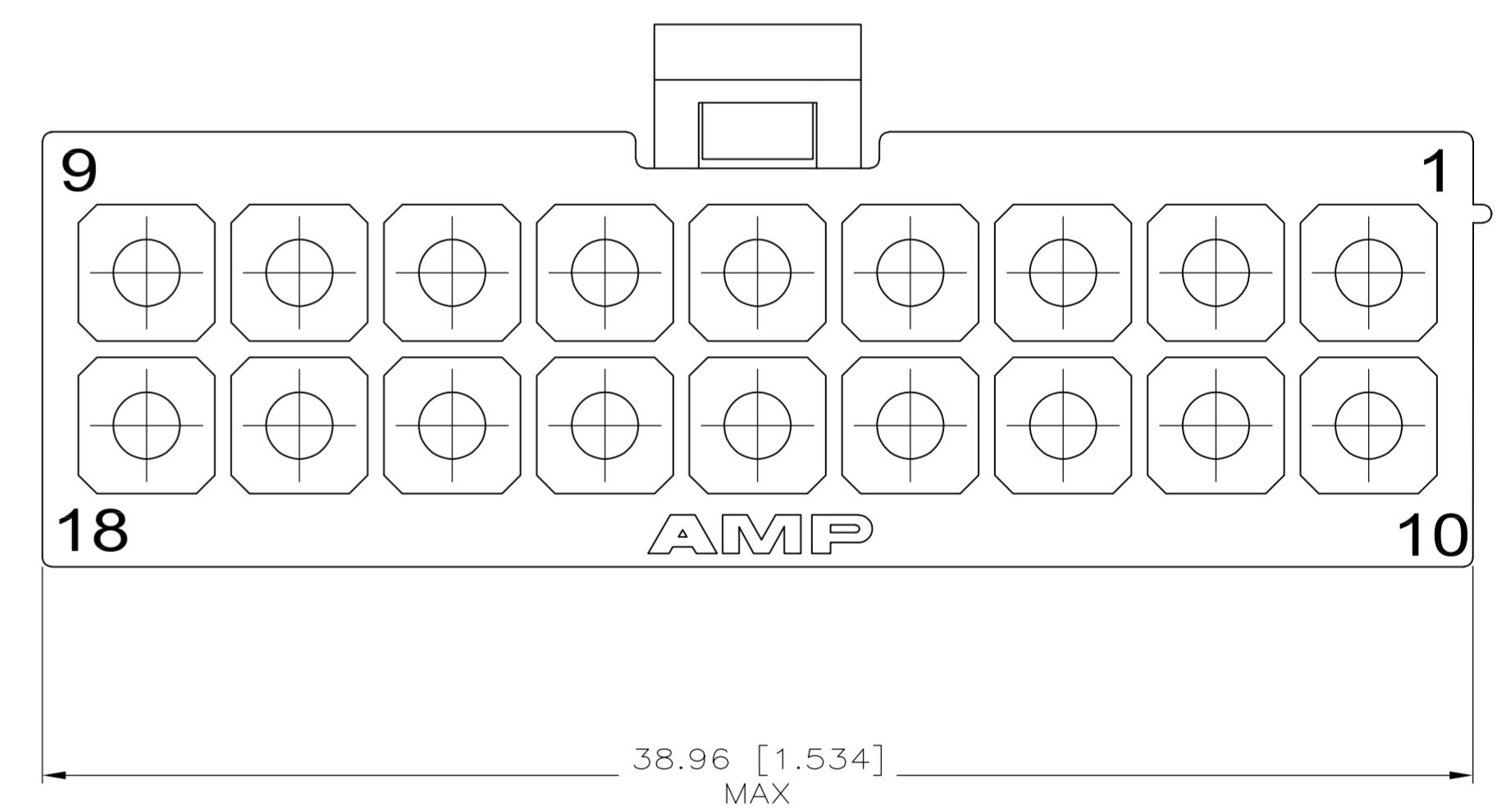
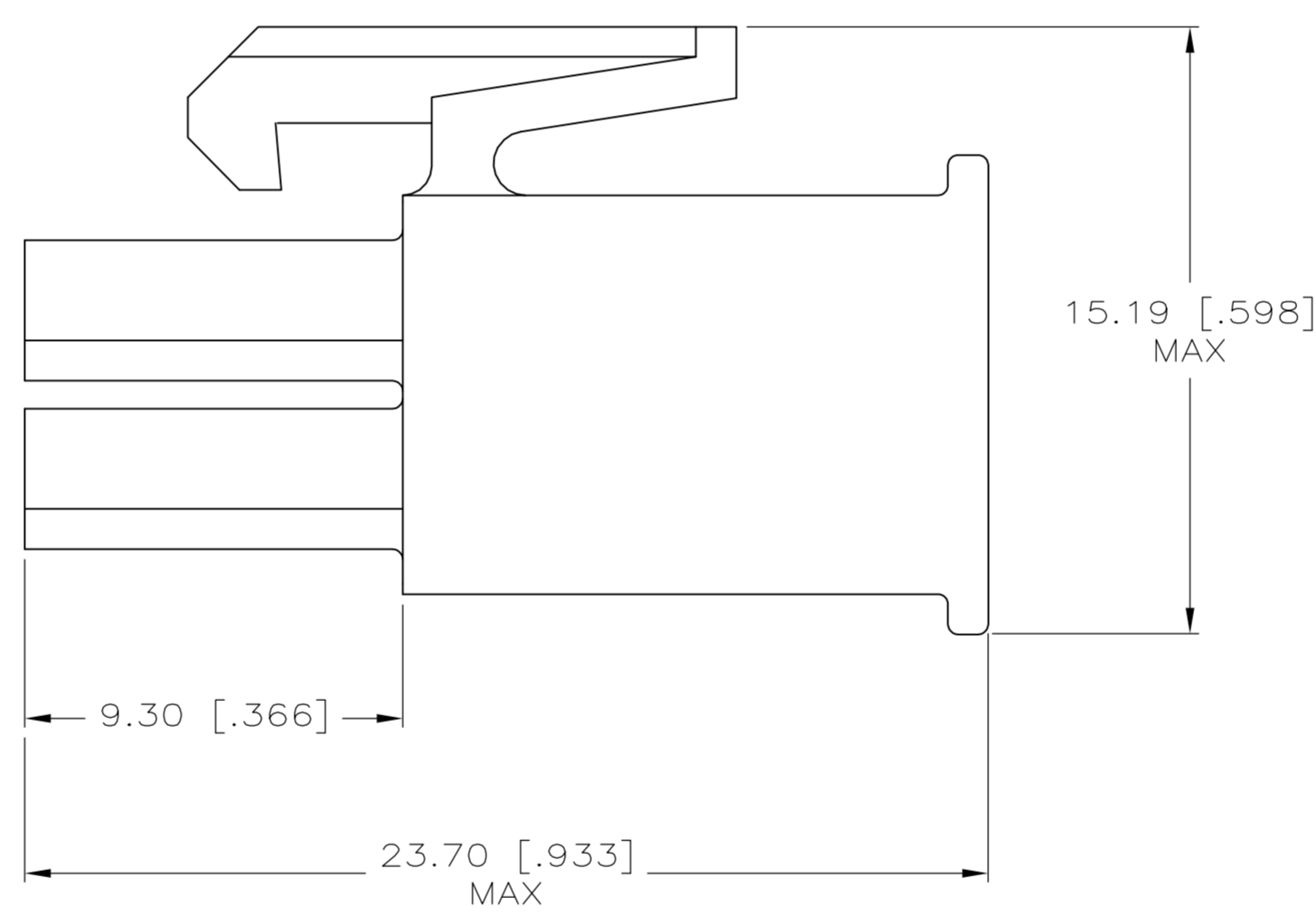
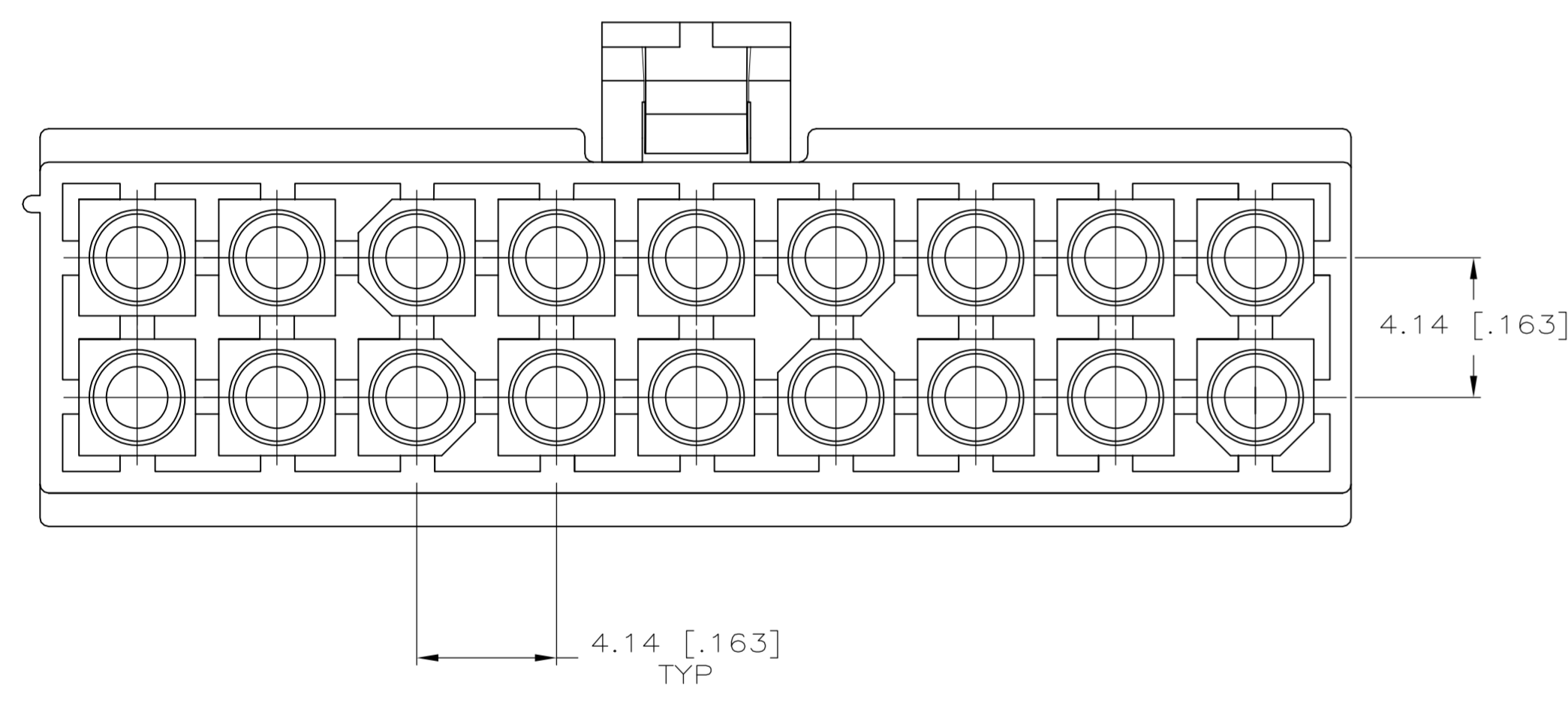


1. INDIVIDUAL CORING FEATURES AROUND BASES OF SILOS MAY NOT BE PRESENT IN ALL LOCATIONS SHOWN.



770584-1
PART NUMBER

THIS DRAWING IS A CONTROLLED DOCUMENT.		DWN S. HOOVER 12-MAY-2004	TE Connectivity
DIMENSIONS: mm [INCHES]		CHK C. JONES 12-MAY-2004	
TOLERANCES UNLESS OTHERWISE SPECIFIED:		APVD C. JONES 12-MAY-2004	NAME PLUG, 18 CIRCUIT, MINI UNIVERSAL MATE-N-LOK™
0 PLG ±	1 PLG ±	PRODUCT SPEC	APPLICATION SPEC
2 PLG ±	3 PLG ±	APPLICATION SPEC	RESTRICTED TO
4 PLG ±	ANGLES ±	SIZE A1	CAGE CODE 00779
MATERIAL NYLON, UL 94V-0 WHITE		FINISH	DRAWING NO 770584
CUSTOMER DRAWING		WEIGHT	SCALE 6:1
		SHEET 1 OF 1	REV G